

5818 ROUTE 9H & 23 HUDSON, NY 12534

SEPTIC TANKS  
DRY WELLS  
D-BOXES  
CATCH BASINS

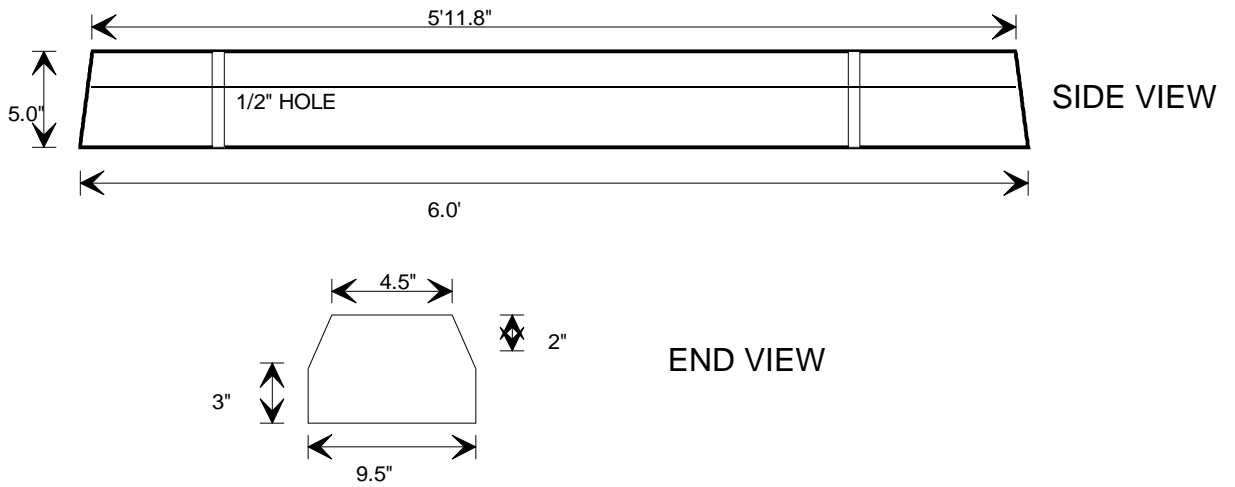
KEELER  
VAULT  
CO.

STEPS  
CURBING  
WHEEL STOPS  
CUSTOM WORK

PRECAST CONCRETE PRODUCTS

518-851-6281  
518-851-9134  
FAX 518-851-7835

## PARKING LOT WHEEL STOPS



Specifications: Concrete minimum strength-5000psi 28 days  
Air entrainment- minimum 5%  
Reinforcement- 2 pcs. #3 rebar

**WEIGHT: 115 LBS.**