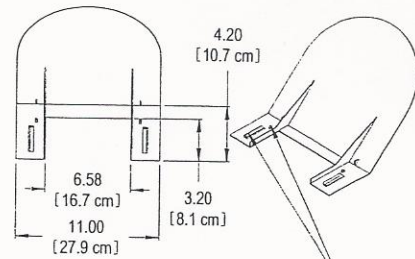
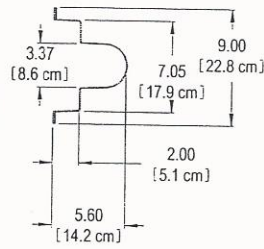
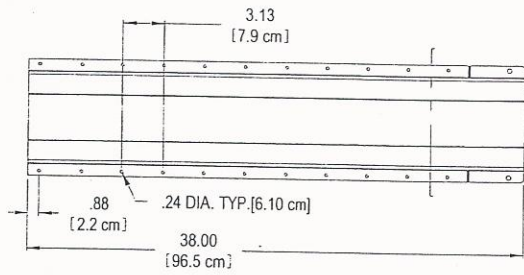


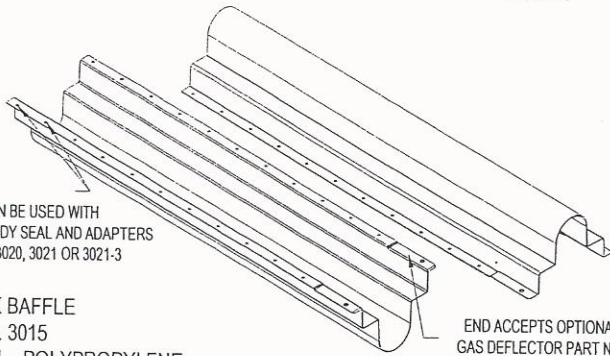
# Baffle & Gas Deflector



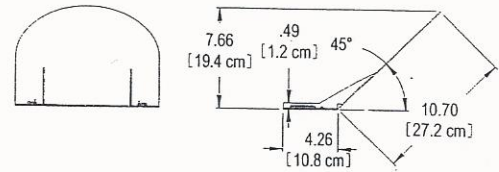
DETAILS PROVIDE SNAP FIT  
ONTO BAFFLE PART NO. 3015

HOLES CAN BE USED WITH  
BAFFLE READY SEAL AND ADAPTERS  
PARTS NO.-3020, 3021 OR 3021-3

POLYLOK BAFFLE  
PART NO. 3015  
MATERIAL - POLYPROPYLENE  
COLOR - WHITE



END ACCEPTS OPTIONAL  
GAS DEFLECTOR PART NO.-3023



POLYLOK GAS DEFLECTOR  
PART NO. 3023  
MATERIAL - POLYPROPYLENE  
COLOR - YELLOW