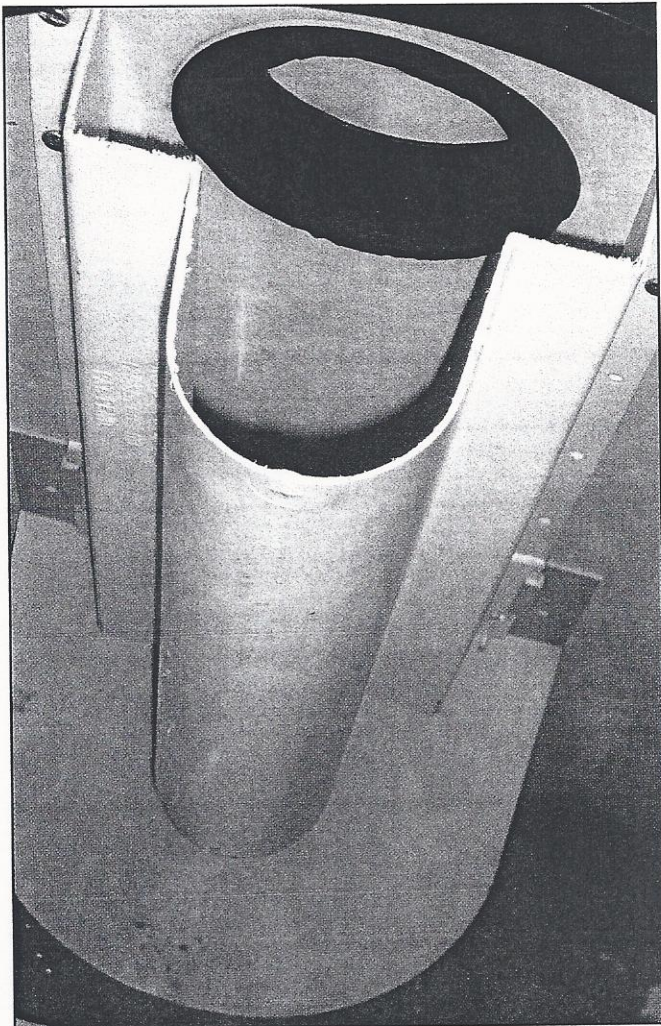


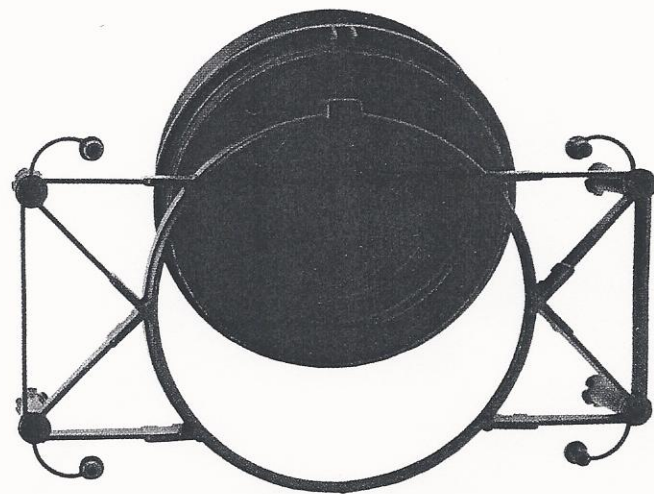
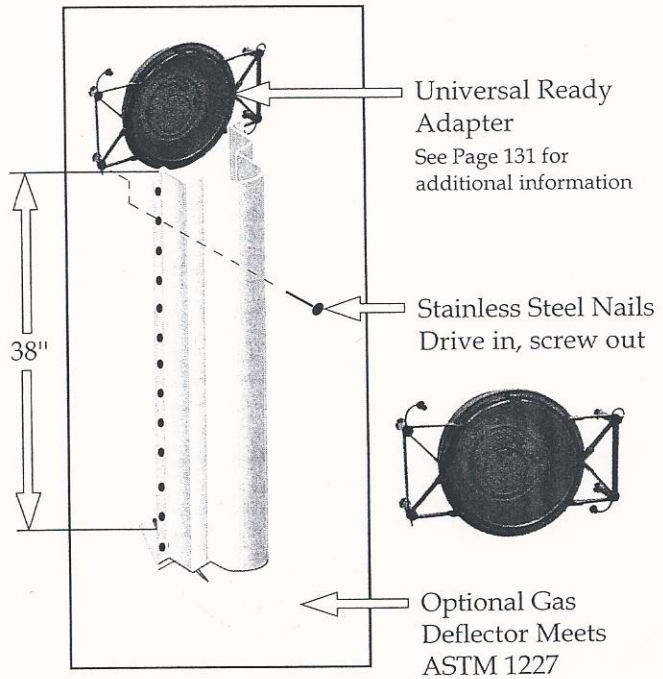


**Baffle Ready**

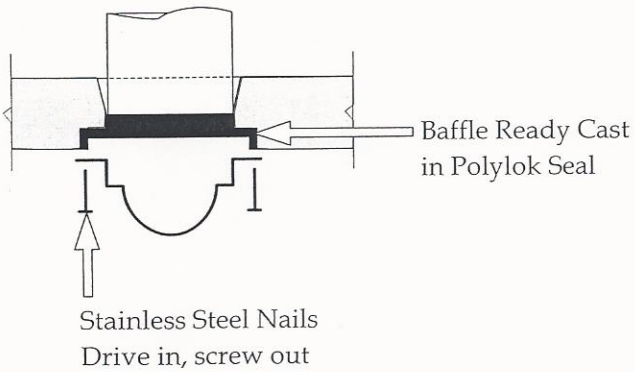
Polylok's baffle instantly connects to the septic tank with our "Baffle Ready" Polylok pipe seal.



Baffle installed using Baffle Ready Seal



**TOP VIEW**



**NO DRILLING NECESSARY!**

1. Attach baffle ready Polylok seal onto the mandrel.
2. Pour concrete.
3. Attach baffle to Polylok's seal with stainless steel nails.