

5818 ROUTE 9H & 23 HUDSON, NY 12534

SEPTIC TANKS  
 DRY WELLS  
 D-BOXES  
 CATCH BASINS

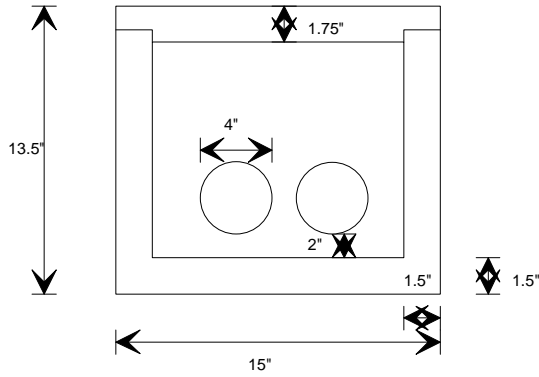
**KEELER  
 VAULT  
 CO.**

STEPS  
 CURBING  
 WHEEL STOPS  
 CUSTOM WORK

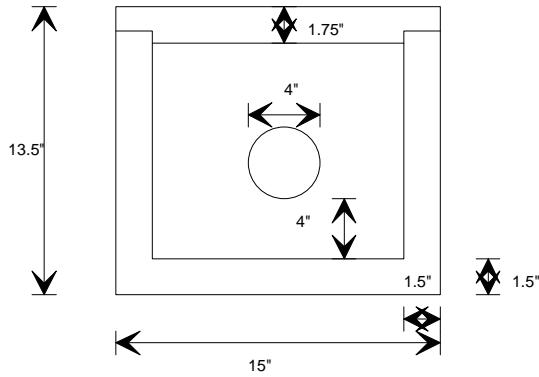
*PRECAST CONCRETE PRODUCTS*

**518-851-6281**  
**518-851-9134**  
**FAX 518-851-7835**

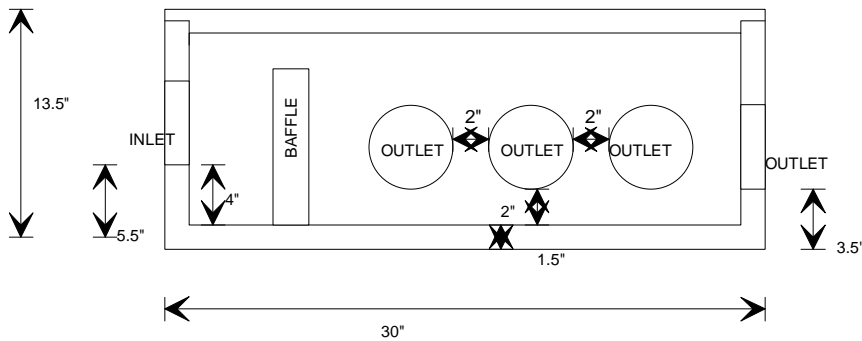
## 8-OUTLET DISTRIBUTION BOX



END OUTLET VIEW



END INLET VIEW



SIDE VIEW

Specifications: Concrete minimum strength 5000 psi at 28 days

Air entrainment- minimum 5%

Reinforcement-Gal.WWMesh and/or Euclid Tuf Strand SFFiber(6lbs./yd)

All pipe connections are POLYLOK SEALS (patented)

**WEIGHT: 160 LBS.**