

5818 ROUTE 9H & 23 HUDSON, NY 12534

SEPTIC TANKS
DRY WELLS
D-BOXES
CATCH BASINS

**KEELER
VAULT
CO.**

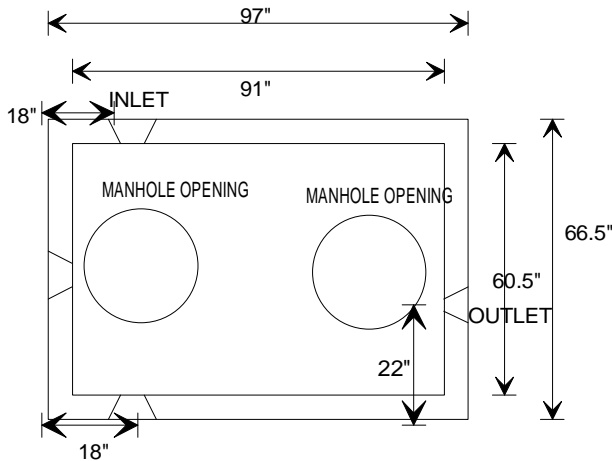
STEPS
CURBING
WHEEL STOPS
CUSTOM WORK

PRECAST CONCRETE PRODUCTS

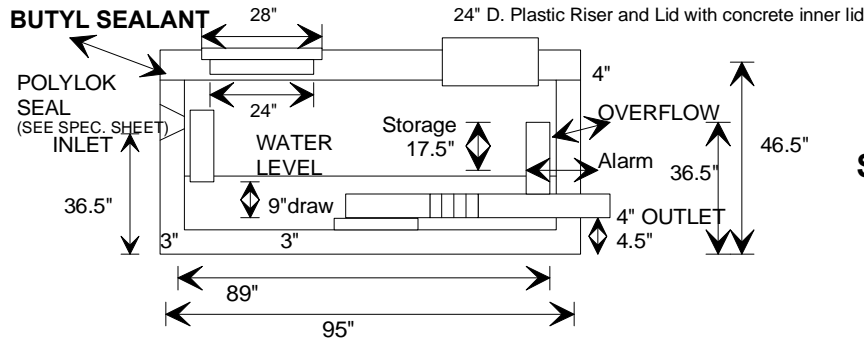
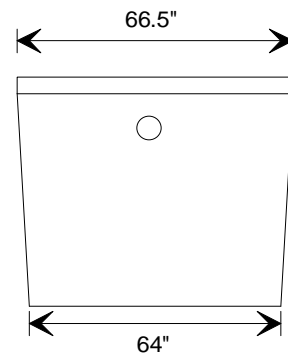
518-851-6281
518-851-9134
FAX 518-851-7835
www.keelervault.com

**DOSING CHAMBER USING
750 GALLON TANK WITH FLOUT TYPE SYPHON
Extended Storage w/Alarm†**

TOP VIEW



END VIEW



SIDE VIEW

Specifications: Concrete minimum strength-5000 psi at 28 days
Air entrainment - minimum 5%

Reinforcement- Base: Euclid Tuf Strand SF Fiber(6lbs./yd)
#3 Grade 60 deformed rebar

Lid: #4 Grade 60 deformed rebar
Pipe connections - Polylok seals (patented)

† Representative dosing tank using a 3" Syphon with a 9" draw equivalent to 208 gal dosage to field. Alarm set to activate 5" above normal syphon dosing level. Storage approximately 17.5" equivalent to 404 gallons. Tanks are delivered **PIPE READY** unless directed otherwise..

WEIGHT: 7980 LBS.

MAXIMUM RECOMMENDED DEPTH OF COVER OVER TANK- 3 FEET

Pricing for dosing tanks will vary. Pricing dependent upon syphon size, tank size, and applications per individual job requirements.

SEE REVERSE SIDE FOR REINFORCEMENT POSITIONING