

5818 ROUTE 9H & 23 HUDSON, NY 12534

SEPTIC TANKS
 DRY WELLS
 D-BOXES
 CATCH BASINS

**KEELER
 VAULT
 CO.**

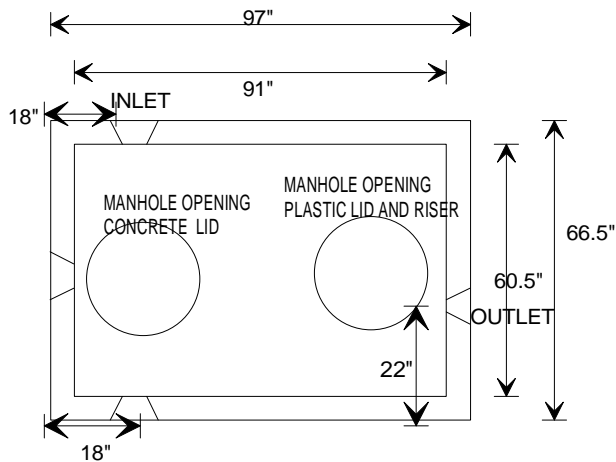
STEPS
 CURBING
 WHEEL STOPS
 CUSTOM WORK

PRECAST CONCRETE PRODUCTS

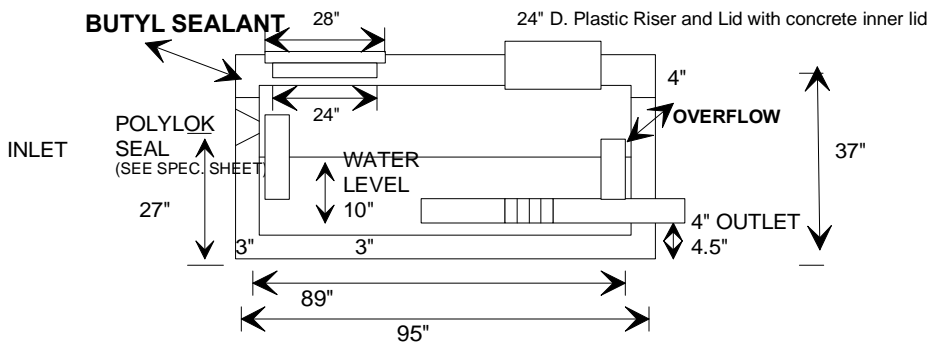
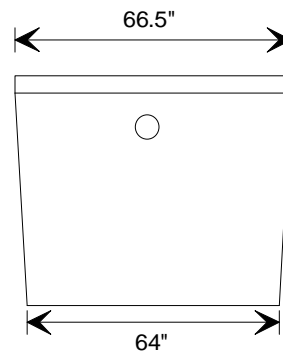
518-851-6281
518-851-9134
FAX 518-851-7835

**DOSING CHAMBER USING
 500 GALLON TANK WITH FLOUT TYPE SYPHON**

TOP VIEW



END VIEW



SIDE VIEW

- Specifications: Concrete minimum strength-5000 psi at 28 days
- Air entrainment - minimum 5%
- Reinforcement- Base: Euclid Tuf Strand SF Fiber (6lbs./yd)
- #3 Grade 60 deformed rebar
- Lid: #4 Grade 60 deformed rebar
- Pipe connections - Polylok seals (patented)

Representative dosing tank using a 3" Syphon with a 13" draw is equivalent to 300 gal dosage to field. Syphon dosing tanks are delivered **PIPE READY** unless directed otherwise..

WEIGHT: 7185 LBS.

MAXIMUM RECOMMENDED DEPTH OF COVER OVER TANK- 3 FEET

Pricing for dosing tanks will vary. Pricing dependent upon syphon size, tank size, and applications per individual job requirements.

SEE REVERSE SIDE FOR REINFORCEMENT POSITIONING