

5818 ROUTE 9H & 23 HUDSON, NY 12534

SEPTIC TANKS
 DRY WELLS
 D-BOXES
 CATCH BASINS

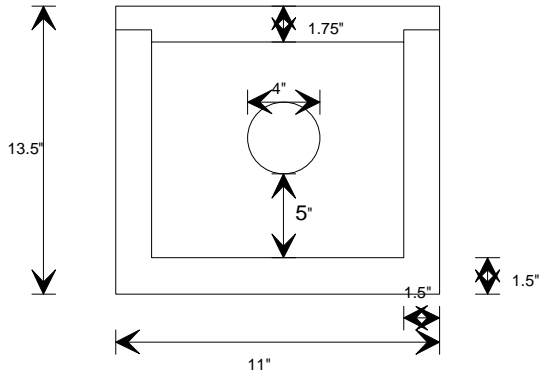
**KEELER
 VAULT
 CO.**

STEPS
 CURBING
 WHEEL STOPS
 CUSTOM WORK

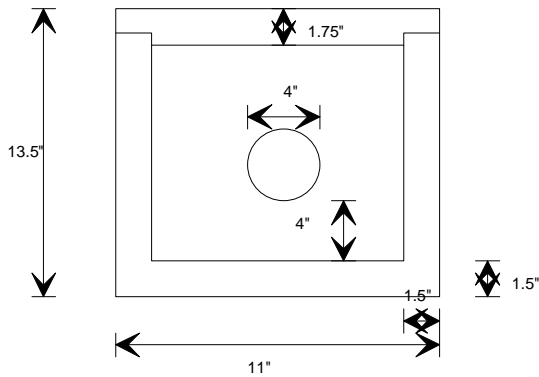
PRECAST CONCRETE PRODUCTS

518-851-6281
518-851-9134
FAX 518-851-7835

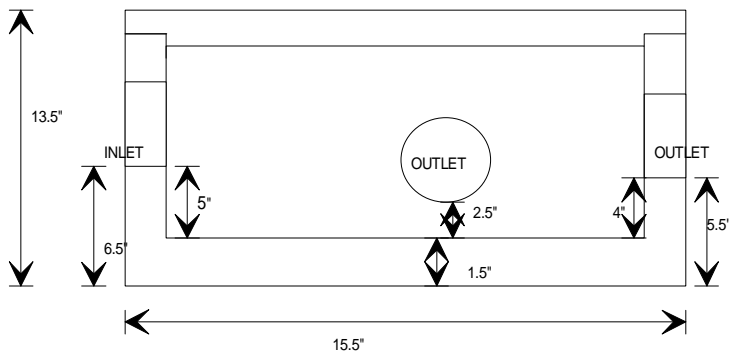
4 HOLE DROPBOX WITHOUT BAFFLE



END INLET VIEW



END OUTLET VIEW



SIDE VIEW

Specifications: Concrete minimum strength 5000 psi at 28 days

Air entrainment- minimum 5%

Reinforcement-Gal.WWM and/or Euclid Tuf Strand SF Fiber(6lbs./yd)

All pipe connections are POLYLOK SEALS (patented)

WEIGHT: 73 LBS.