

5818 ROUTE 9H & 23 HUDSON, NY 12534

SEPTIC TANKS
 DRY WELLS
 D-BOXES
 CATCH BASINS

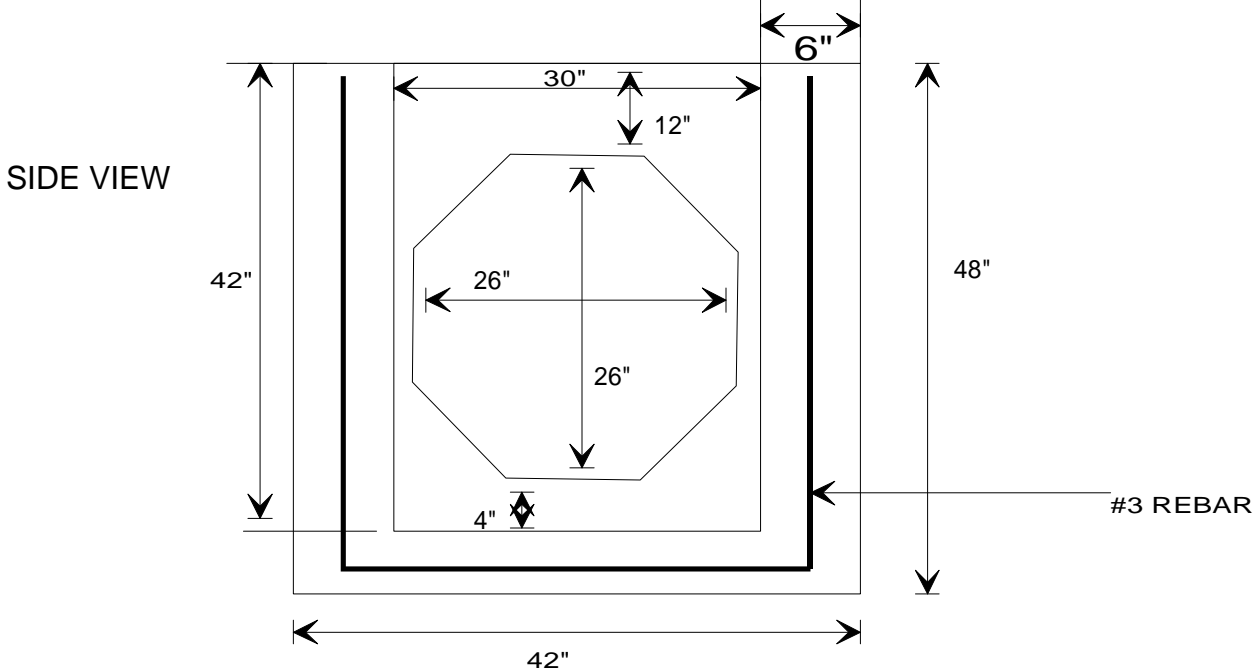
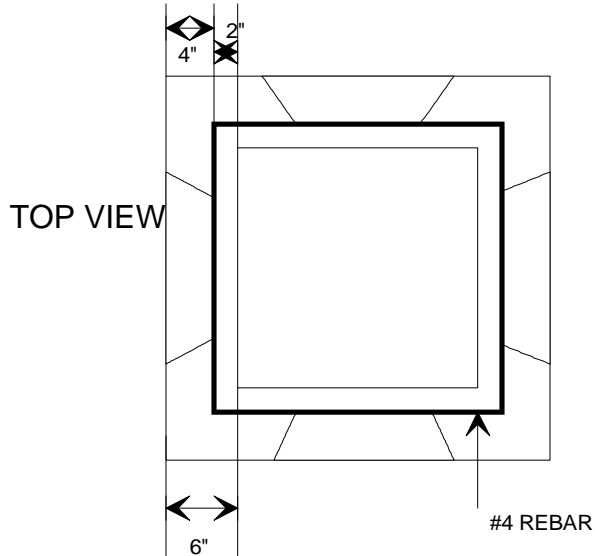
**KEELER
 VAULT
 CO.**

STEPS
 CURBING
 WHEEL STOPS
 CUSTOM WORK

PRECAST CONCRETE PRODUCTS

518-851-6281
518-851-9134
FAX 518-851-7835

MODEL 30 C/B
30" X 30" ID CATCH BASIN



Specifications: Concrete minimum strength 5000 psi at 28 days
 Air entrainment- minimum 5%
 Reinforcement- Gal. WWM and/or Euclid Tuf Strand SF Fiber(6 lbs./yd.)
 # 4 Rebar
 Knockout area- 26" X 26" on all four sides. Traffic Rated.

WEIGHT: 3500 LBS.

3/1/12

ROUND AND SQUARE GRATINGS ARE AVAILABLE.