

5818 ROUTE 9H & 23 HUDSON, NY 12534

SEPTIC TANKS  
DRY WELLS  
D-BOXES  
CATCH BASINS

**KEELER  
VAULT  
CO.**

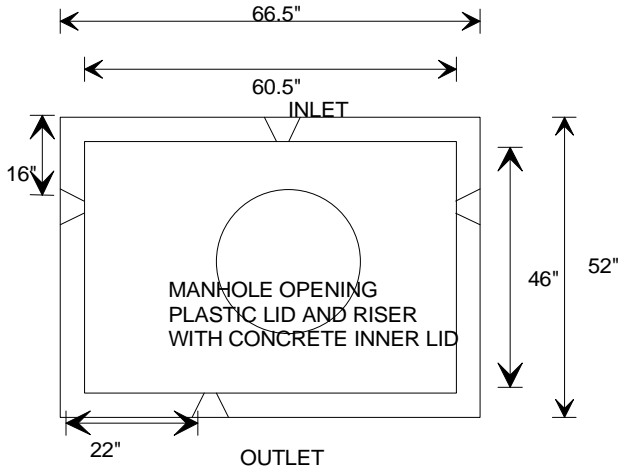
STEPS  
CURBING  
WHEEL STOPS  
CUSTOM WORK

*PRECAST CONCRETE PRODUCTS*

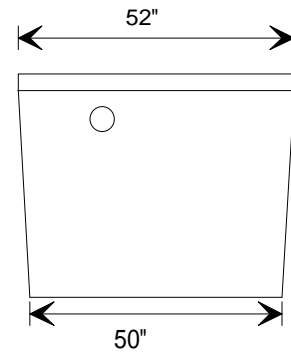
**518-851-6281**  
**518-851-9134**  
**FAX 518-851-7835**

**DOSING CHAMBER USING  
250 GALLON TANK WITH FLOUT TYPE SYPHON**

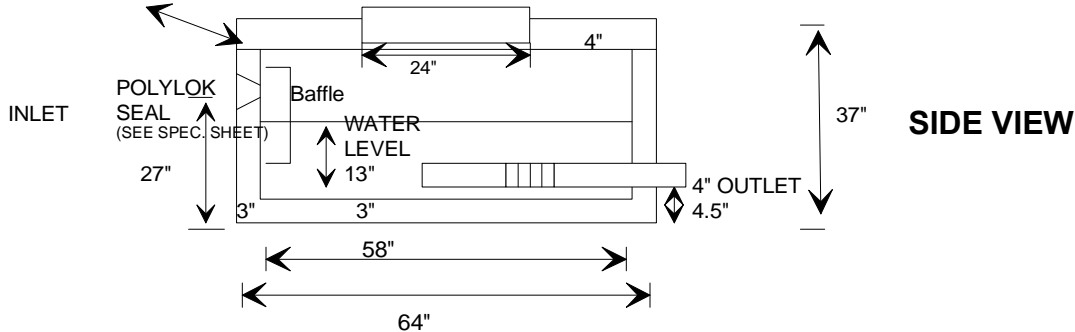
**TOP VIEW**



**END VIEW**



**BUTYL SEALANT**



Specifications: Concrete minimum strength-5000 psi at 28 days  
Air entrainment - minimum 5%  
Reinforcement- Base: Euclid Tuf Strand SF Fiber(6lbs./yd)  
#3 Grade 60 deformed rebar  
Lid: #4 Grade 60 deformed rebar  
Pipe connections - Polylok seals (patented)  
Representative dosing tank using a 3" Syphon with a 13"-14" draw  
equivalent to 160-170 gal dosage to field. Syphon dosing  
tanks are delivered **PIPE READY** unless directed otherwise..

**WEIGHT: 4,330 LBS.**

MAXIMUM RECOMMENDED DEPTH OF  
COVER OVER TANK-3 FEET+

**Pricing for dosing tanks will vary. Pricing dependent upon syphon size, tank size, and applications per individual job requirements.**