

5818 ROUTE 9H & 23 HUDSON, NY 12534

SEPTIC TANKS  
DRY WELLS  
D-BOXES  
CATCH BASINS

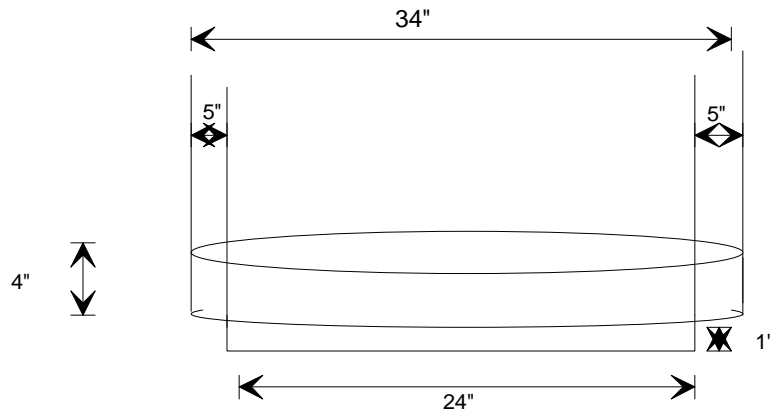
**KEELER  
VAULT  
CO.**

STEPS  
CURBING  
WHEEL STOPS  
CUSTOM WORK

*PRECAST CONCRETE PRODUCTS*

**518-851-6281**  
**518-851-9134**  
**FAX 518-851-7835**  
**www.keelervault.com**

**HEAVY DUTY CONCRETE SEPTIC TANK AND/OR  
DRY WELL LID**



Specifications: Concrete minimum strength- 5000 psi at 28 days  
Air entrainment- minimum 5%  
Reinforcement-Euclid Tuf Strand SF Fiber (6lbs./yd.)  
2 Pieces #2 Rebar

**WEIGHT: 390 LBS.**