

5818 ROUTE 9H & 23 HUDSON, NY 12534

SEPTIC TANKS  
DRY WELLS  
D-BOXES  
CATCH BASINS

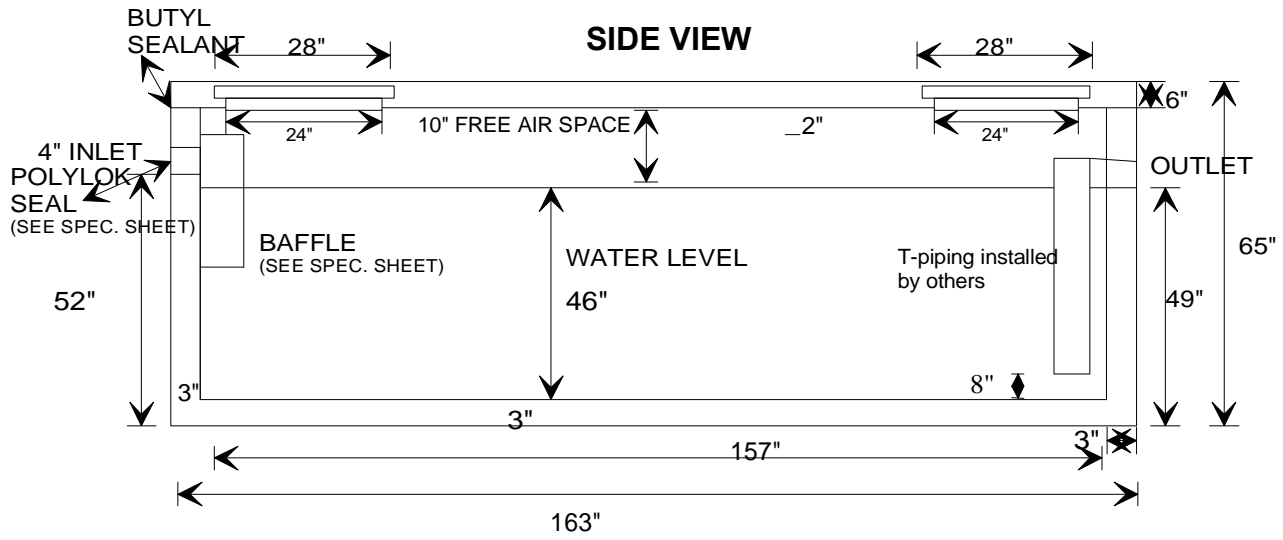
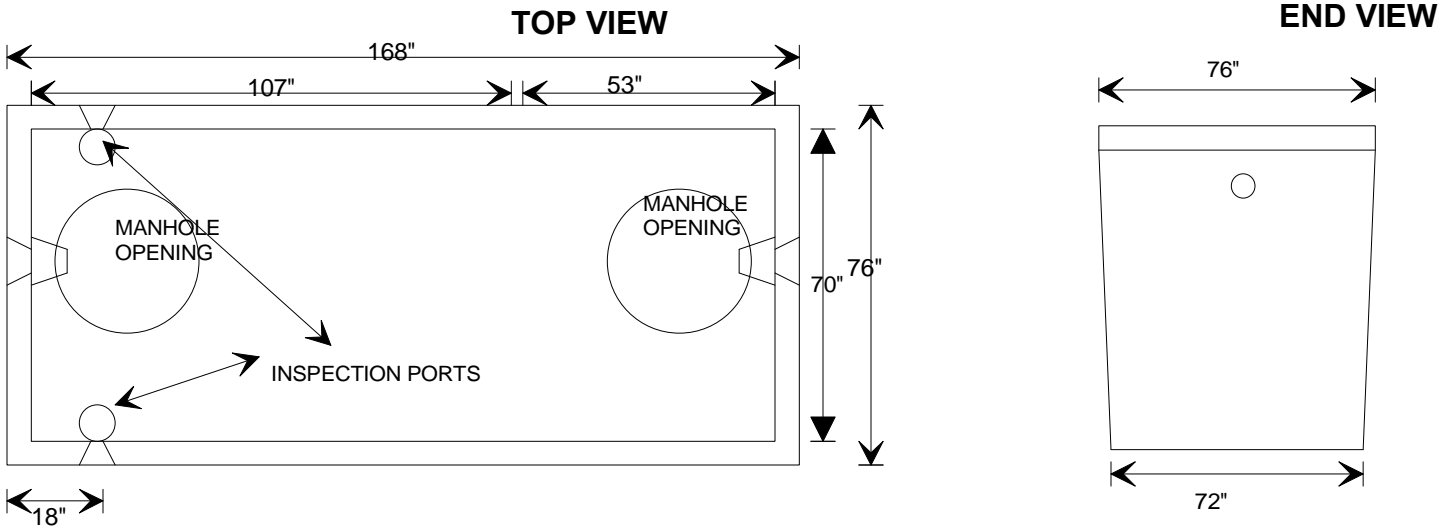
**KEELER  
VAULT  
CO.**

STEPS  
CURBING  
WHEEL STOPS  
CUSTOM WORK

*PRECAST CONCRETE PRODUCTS*

**518-851-6281**  
**518-851-9134**  
**FAX 518-851-7835**

**MODEL 2000-S**  
**STANDARD 2000 GALLON SEPTIC TANK**  
**USED AS A GREASE INTERCEPTOR**  
**3 INLETS 1 OUTLET**



Specifications: Concrete minimum strength-5000 psi at 28 days  
Air entrainment - minimum 5%  
Reinforcement- Base: Euclid Tuf Strand SF Fiber (6lbs./yd)  
#3 Grade 60 deformed rebar  
Lid: #4 Grade 60 deformed rebar  
Pipe connections - Polylok seals (patented)  
Baffles - Plastic inlet  
Plastic outlet w/gas deflector (patented)  
Inspection ports above each pipe connect.

**WEIGHT: 17,405 LBS.**

MAXIMUM RECOMMENDED DEPTH OF COVER OVER TANK- 3 FEET

SEE REVERSE SIDE FOR REINFORCEMENT POSITIONING