

5818 ROUTE 9H & 23 HUDSON, NY 12534

SEPTIC TANKS
DRY WELLS
D-BOXES
CATCH BASINS

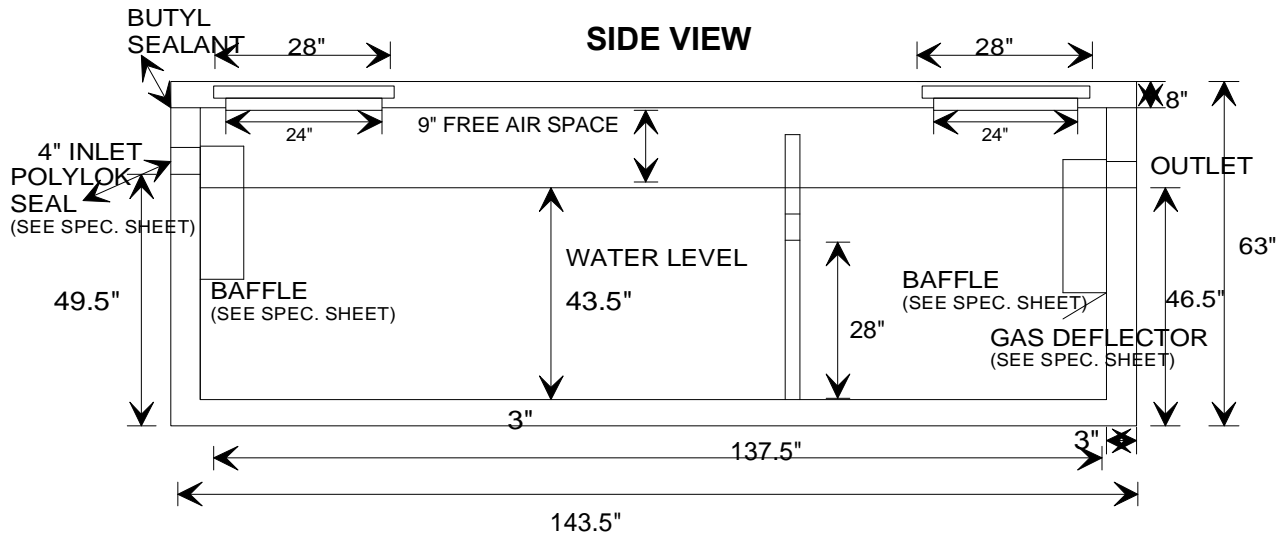
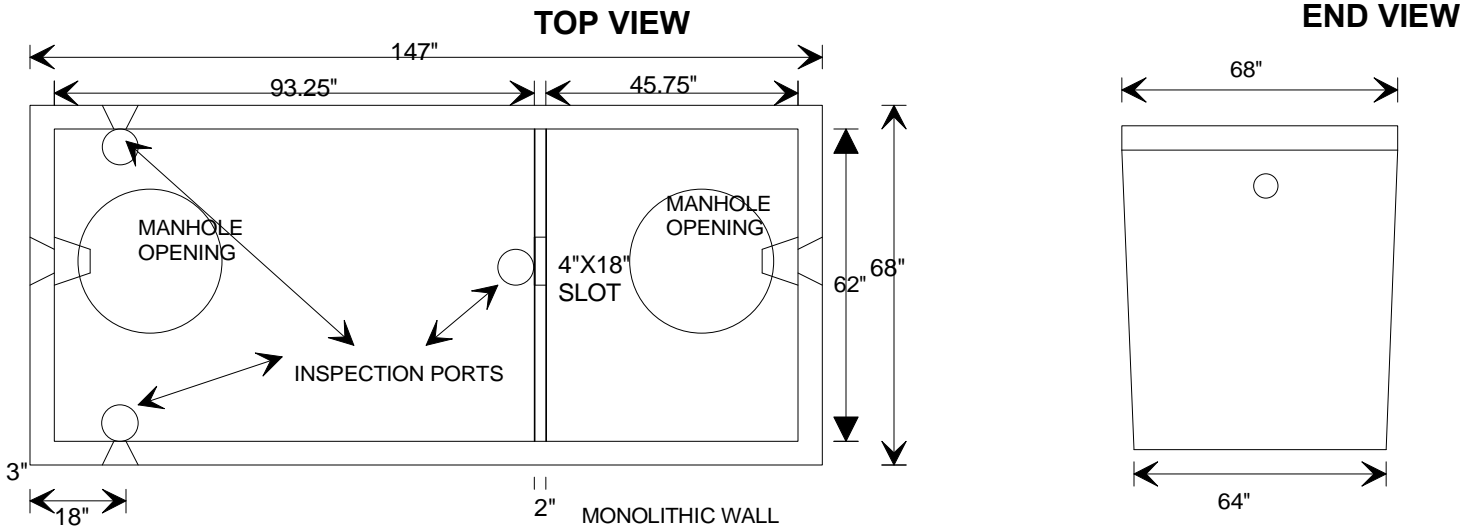
**KEELER
VAULT
CO.**

STEPS
CURBING
WHEEL STOPS
CUSTOM WORK

PRECAST CONCRETE PRODUCTS

518-851-6281
518-851-9134
FAX 518-851-7835

MODEL 1500-S**
STANDARD 1500 GALLON SEPTIC TANK
TWO COMPARTMENT
WITH HEAVY DUTY COVER
3 INLETS 1 OUTLET



- Specifications:
- Concrete minimum strength-5000 psi at 28 days
 - Air entrainment - minimum 5%
 - Reinforcement- Base: Euclid Tuf Strad SF (6lbs./yd.)
#3 Grade 60 deformed rebar
 - Lid: #4 Grade 60 deformed rebar
 - Pipe connections - Polylok seals (patented)
 - Baffles - Plastic inlet
Plastic outlet w/gas deflector (patented)
 - Inspection ports above each pipe connect.

WEIGHT: 18,500 LBS.

MAXIMUM RECOMMENDED DEPTH OF
OVER OVER TANK- 3 FEET

SEE REVERSE SIDE FOR REINFORCEMENT POSITIONING